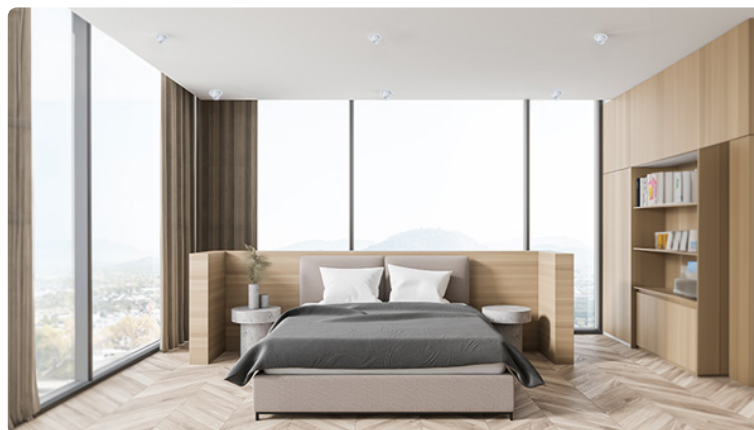
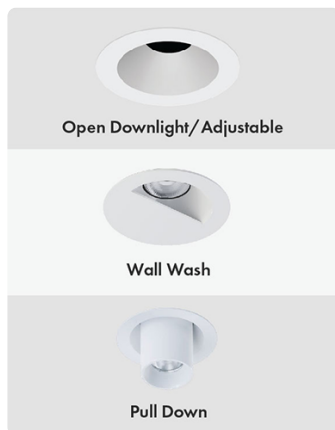


# 1"

# EPD-R1-PD

## 1" Remodel Pull Down Adjustable Downlight

## Edison Series



### Application

A family of compact architectural downlights, the featured fixture has a 1" aperture, emitting a strong and accurate beam of light for even illumination without glare. This versatile fixture serves as a downlight, pinhole light, and adjustable downlight, seamlessly combining multiple functions in one.

### Features

#### Vertical Adjustment

- Slide the upper module up or down to achieve the desired beam angle, ranging from narrow to wide distribution.
- Use the provided Allen wrench to lower the height of the upper module for a wider distribution.
- Twist the captive screws counterclockwise to raise the height of the upper module for a narrower distribution.

#### Tool-less Hot Aiming

- Achieve a full 35-degree tilt and 360-degree rotation.
- Securely lock the fixture into place once the desired position is reached.

#### Shielding

- Adjust the shielding of the LEDs after setting the tilt, rotation, and beam angle.
- Prevent light loss and enhance directional aiming. Trims
- Available in round, square, and wall wash designs.

<b>Lumens</b>	<b>High Performance:</b> 800, 1000
<b>CCT &amp; Dynamic Platforms</b>	<b>High Performance:</b> 27K, 30K, 35K, 40K, 50K
<b>CRI</b>	<b>High Performance:</b> 90+
<b>Color Quality</b>	2 Step MacAdam Ellipse
<b>Distributions</b>	ND (Narrow 20°), MD (Medium 35°), WD (Wide 60°)
<b>Trim Options</b>	Downlight (Flanged), Adjustable, Wall Wash, Pulldown Adjustable, Trim-less, Square
<b>Reflector Colors</b>	W (White), CL (Chrome)
<b>Flange Colors</b>	WH (White)
<b>Dimming</b>	DIM10, DIMTR
<b>Emergency</b>	REM-EMG-LED-10W
<b>Lifetime</b>	L70 Rated for 120,000 hours at 70% lumen maintenance
<b>Photometric Tests</b>	In Accordance with IES LM79-08, LM80 and TM-30, TM-21

Nominal Lumens	Delivered Lumens	Wattage
800L	766	10
1000L	1008	14

Based on 4000K, 90+ CRI with semi-specular chrome reflector. Actual wattage may vary +/-5%



# 1"

# EPD-R1-PD

## 1" Remodel Pull Down Adjustable Downlight

## Edison Series

PART NUMBER: **EPD-R1-PD-800L-27K-90-ND-DIM10-120V**

Series	Lumens	CCT	CRI	Optics	Driver	Voltage	Emergency	Options
<b>EPD-R1-PD</b>	<b>800L</b> <b>1000L</b>	<b>27K</b> <b>30K</b> <b>35K</b> <b>40K</b> <b>50K</b>	<b>90+</b>	<b>ND</b> Narrow (20°) <b>MD</b> Medium (35°) <b>WD</b> Wide (60°)	<b>DIM10</b> <b>DIMTR<sup>3</sup></b>	<b>120V</b> <b>MVOLT</b> <b>DIMTR-only</b> <b>120V</b>	- <b>REM-EMG-LED-10W</b>	- <b>CP<sup>6</sup></b> <b>USA</b>

**1** 50K series are available with 85+ CRI only    **2** 98+ CRI is available in 27K, 30K and 40K only    **3** DIMTR available in 120V only    **4** LUTFTB Available for luminaires up to 1500L    **5** 347V is available in only DIM10    **6** CP Available for luminaires up to 1500L

# 1"

# EPD-R1-PD

## Edison Series

### Architectural LED Downlight- Fixed Downlight / Adjustable

#### TRIM OPTIONS: (MODULES)



**EPD-1-116**  
Pull down Adjustable  
Downlight

EX: EPD-1-116-800L-30K-90-MD-WH-WH

Series	Lumens	CCT	CRI	Distribution	Finish
EPD-1-116	800L	27K	90	ND 20°	WH-WH
		30K		MD 35°	
		35K		WD 60°	
		40K			
		50K			



**EPD-1-112**  
Adjustable/Fixed  
Downlight

EX: EPD-1-112-800L-30K-90-MD-CL-WH

Series	Lumens	CCT	CRI	Distribution	Reflector/Trim
EPD-1-112	800L	27K	90	ND 20°	WH-WH
	1000L	30K		MD 35°	CL-WH
		35K		WD 60°	
		40K			
		50K			

**NOTE:**  
800L: only 10W new construction and remodel housing  
1000L: only 15W new construction and remodel housing



**EPD-1-TL-112**  
Adjustable/Fixed  
Downlight

EX: EPD-1-TL-112-800L-30K-90-MD-CL-WH

Series	Lumens	CCT	CRI	Distribution	Finish
EPD-1-112	800L	27K	90	ND 20°	WH
	1000L	30K		MD 35°	CL
		35K		WD 60°	
		40K			
		50K			

**NOTE:**  
800L: only 10W new construction and remodel housing  
1000L: only 15W new construction and remodel housing



**EPD-1-113**  
Adjustable/Fixed  
Wallwash Downlight

EX: EPD-1-113-800L-30K-90-MD-CL-WH

Series	Lumens	CCT	CRI	Distribution	Reflector/Trim
EPD-1-113	800L	27K	90	ND 20°	WH-WH
		30K		MD 35°	CL-WH
		35K		WD 60°	
		40K			
		50K			

# 1"

# EPD-R1-PD

## Edison Series

### 1" Remodel Pull Down Adjustable Downlight

#### Modifications Available

Consult factory for modification requests; orders may require shop drawing approval.

#### Adjustable

Has full adjustable aiming capability, allowing the double gimbal mechanism to rotate 360°, pivot 90°, and lock into place at any desired position.

#### Wall Wash

The optical assembly delivers uniform ceiling-to-floor wallwashing without creating any visible scallops. The optical assembly is specially designed to extend a beam in two directions for a uniform floor-to-ceiling and side-to-side wash of light.

#### Trim Design

##### Downlight, Pinhole, Adjustable: All In-One

- EPD-R1-PD architectural downlight, with a small 1" aperture, delivers a powerful and precise beam of light, providing uniform, glare-free illumination. It functions as a downlight, pinhole, and adjustable downlight all-in-one.
- The pull-down mechanism extends the upper module up to 2 inches, allowing it to tilt up to 90° and rotate up to 360°, and locks securely into position. The reflector can be adjusted to cover the cavity when repositioning the module.

##### Vertical Adjustment

- Slide the upper module up or down to achieve the desired beam angle, from narrow to wide distribution. Alternatively, use the provided Allen wrench to lower the height of the upper module for a wider distribution. Turning the captive screws counterclockwise raises the height of the upper module for a narrower distribution.

##### Tool-less Hot Aiming

- Manually adjust the module to achieve up to a 35-degree tilt, allowing precise light aiming. Once the desired position is reached, the module can be securely locked into place.

##### Shielding

- After adjusting and locking the tilt, rotation, and beam angle, you can fine-tune the LED shielding to minimize light loss and improve directional aiming.

##### Wall Wash

- A deeply recessed light source combined with a wall wash eyelid trim ensures even illumination while reducing glare at the ceiling line. The wall wash distribution highlights shelves, displays, or artwork on the wall, creating the impression of a larger room.

#### Housing / Mounting

- The small aperture thermally protected remodel housing is designed for quick and easy installation from below the ceiling in existing plaster or mechanical ceilings. Three remodel clips can be accessed from below the ceiling, allowing for easy removal of the fixture and access to the driver.

#### Collar Bracket

For custom or thicker ceiling applications, it is recommended to contact the factory for assistance. The integral laser beam slots in this product allow for the use of guide strings or leveling laser guns, ensuring accurate installation of luminaries in a level and straight manner.

#### Installation

Three pre-installed spring clips securely fasten the housing into the ceiling, accommodating various ceiling thicknesses from 1/2" to 1-1/4".

#### Emergency Options/Controls

The Emergency battery pack needs to be remote mounted in a junction above the ceiling. A custom made canopy can also be provided upon request when there is no ceiling access and the emergency needs to be mounted below the ceiling line. The test switch for the emergency battery is mounted remotely (EMG-LED option) on the ceiling. Self Diagnostic emergency option available (EMG-SDT) Typical lumen output of the luminaire is up to 1000L with EMG-LED-10W option & 2000L with EMG-LED-20W option in emergency mode. Other accessories and controls systems include modular wiring systems, daylight harvesting controls, occupancy sensors, and/or power packs for individual or room control applications.

#### Drivers

- DIM10 - 0-10V dimming on either MVOLT 120V . Dimmable down to 5% of initial lumens, standard.
- DIMTR - Triac & Electronic low voltage dimming. Available in 120V only.

#### Listings

- c-UL-us listed for wet location location
- c-UL-is listed for feed through wiring

#### Dimming & Driver Information

**DIM10** - 0-10V dimming on either MVOLT 120, 277 or 347V. Dimmable down to 1% of initial lumens, standard

**DIMTR** - Triac & Electronic low voltage forward phase dimming. Available in 120V only

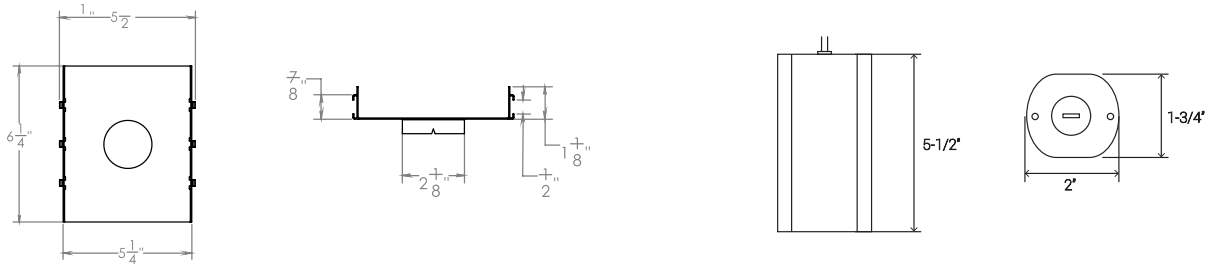


# 1"

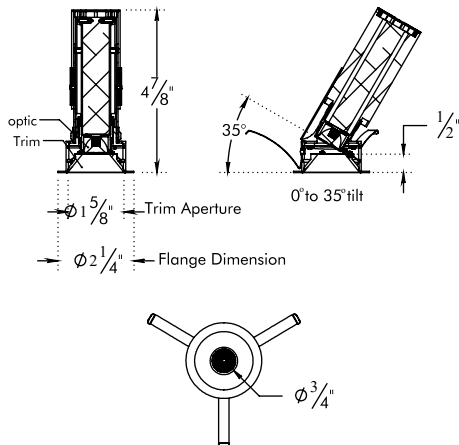
# EPD-R1-PD

## 1" Remodel Pull Down Adjustable Downlight

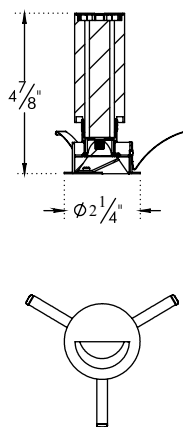
## Edison Series



EPD-1-112



EPD-1-113-LED



EPD-1-116

